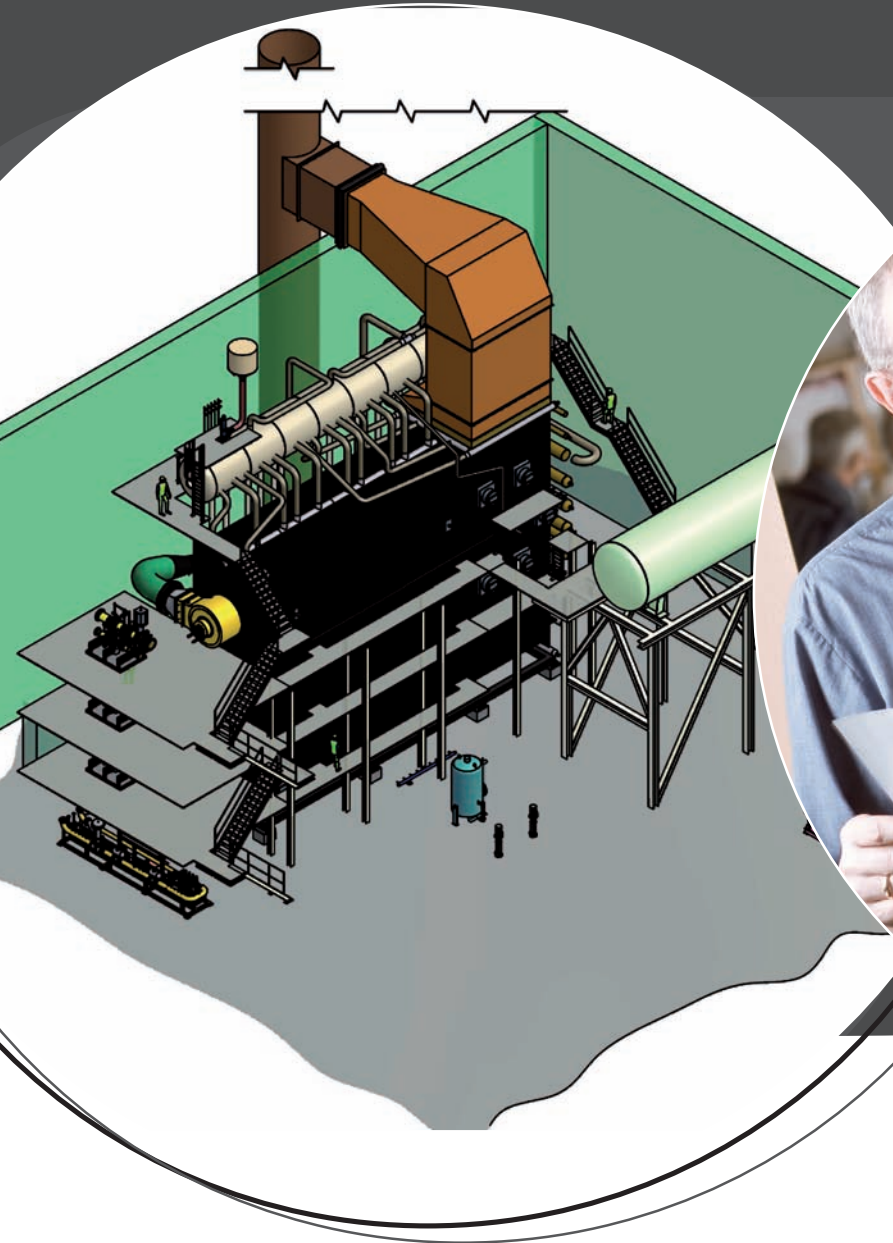


# SteamGen™ 4

- Nederlandse Aardolie Maatschappij (NAM )
- Schoonebeek, The Netherlands



*In June 2008 Aalborg Engineering signed a contract with Nederlandse Aardolie Maatschappij to supply an auxiliary boiler for the Schoonebeek facility .*

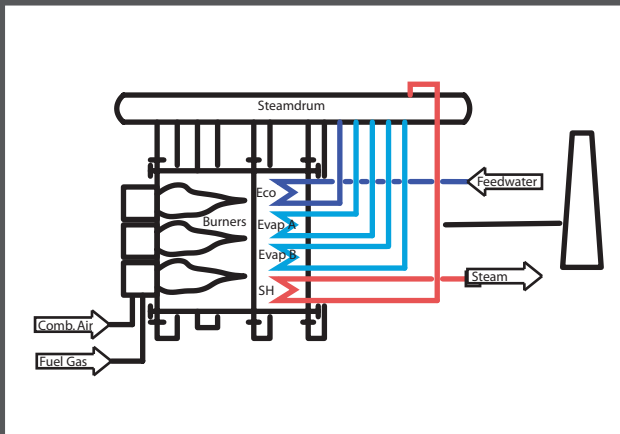


**Aalborg Engineering**  
*understanding energy*

# SteamGen™ 4 • NAM • Schoonebeek, The Netherlands

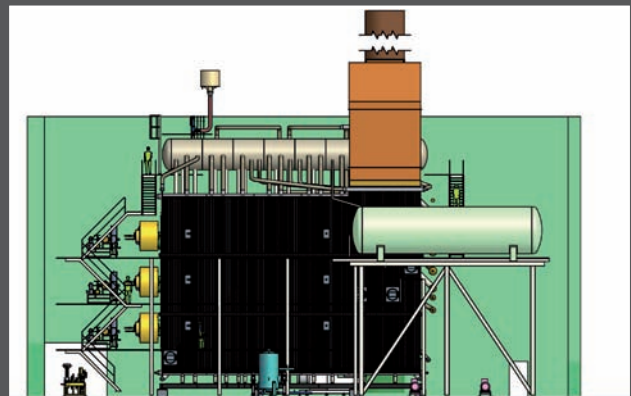
The company Nederlandse Aardolie Maatschappij (NAM) is the biggest gas supplier in The Netherlands. For their Schoonebeek facility they needed a reliable steam supply as a back up their plant. Our supply of the modular SteamGen™ 4 is securing this for decades to come.

The SteamGen 4 is burning various waste gasses as well as natural gas. The produced steam is used to increase the efficiency of the exploration fields. In this way more oil can be extracted from the fields.



## Project Data

|                        |                                   |
|------------------------|-----------------------------------|
| Client:                | Nederlandse Aardolie Maatschappij |
| Location:              | Schoonebeek, The Netherlands      |
| Year of commissioning: | 2010                              |
| Boiler:                | SteamGen™ 4                       |
| Fuel:                  | Natural gas and associated gas    |
| Steam capacity:        | 220 t/h                           |
| Operating pressure:    | 82 barg                           |
| Steam temperature:     | 310 °C                            |



Looking towards east  
(West wall not shown)

## Scope of Supply

- Boiler and economiser
- Steam system
- Drain and venting system
- Gas burners and fuel gas skid
- Combustion air system
- Cooling air system
- Water & steam sampling system
- Valves and instrumentation
- Design of steel structure, platforms, stairways and stack
- Supervision of erection
- Supervision of commissioning



**Aalborg Engineering**  
*understanding energy*