

SteamGen™ 6

– Oil Refineries Ltd. • Haifa, Israel



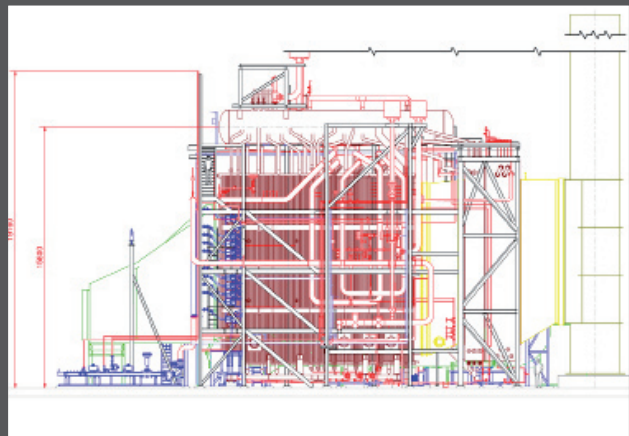
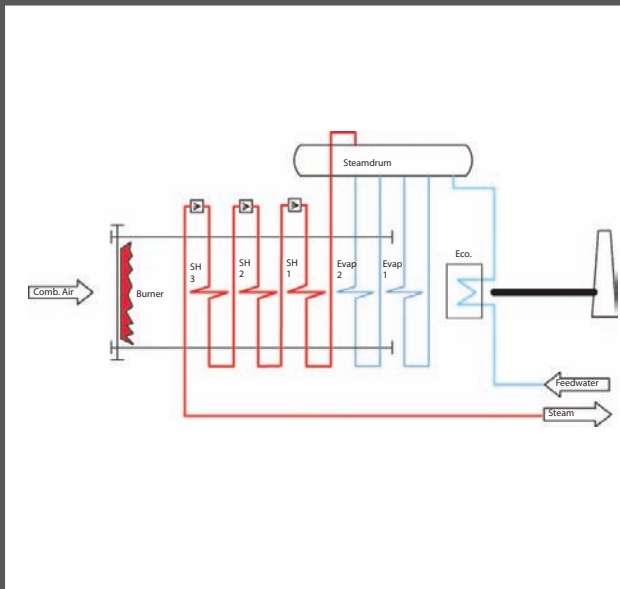
In November 2007 Aalborg Engineering signed a contract with Oil Refineries Ltd. (ORL) to supply a natural gas and refinery gas fired auxiliary boiler for the Haifa Refinery.



Aalborg Engineering
understanding energy

SteamGen™ 6 • Oil Refineries Ltd. • Haifa, Israel

The “auxiliary boiler” is a design which is based on natural gas and refinery gas. As the boiler has to be capable of conversion to turbine exhaust gas heat recovery and supplementary firing in the future, the SteamGen™ 6 HRSG has been selected for the project. The specific SteamGen™ 6 is designed to suit three different gas turbines (Siemens SGT 800, GE LM6000 and RR Trent) and is equipped with a grid burner system, which is designed for both fresh air firing and (future) supplementary firing .



Scope of Supply

- Boiler and economiser
- Steam system
- Drain and venting system
- Gas burners and fuel gas skid
- Combustion air system
- Fuel gas recirculation system
- Cooling air system
- Water & steam sampling system
- Valves and instrumentation
- Design of steel structure, platforms, stairways and stack
- Supervision of erection
- Supervision of commissioning

Project Data

Client:	Oil Refineries Ltd.
Location:	Haifa, Isreal
Year of commissioning:	2009
Boiler:	SteamGen™ 6
Fuel:	Natural gas and refinery gas
Steam capacity:	150 t/h
Operating pressure:	36 barg
Steam temperature:	360 °C



Aalborg Engineering
understanding energy