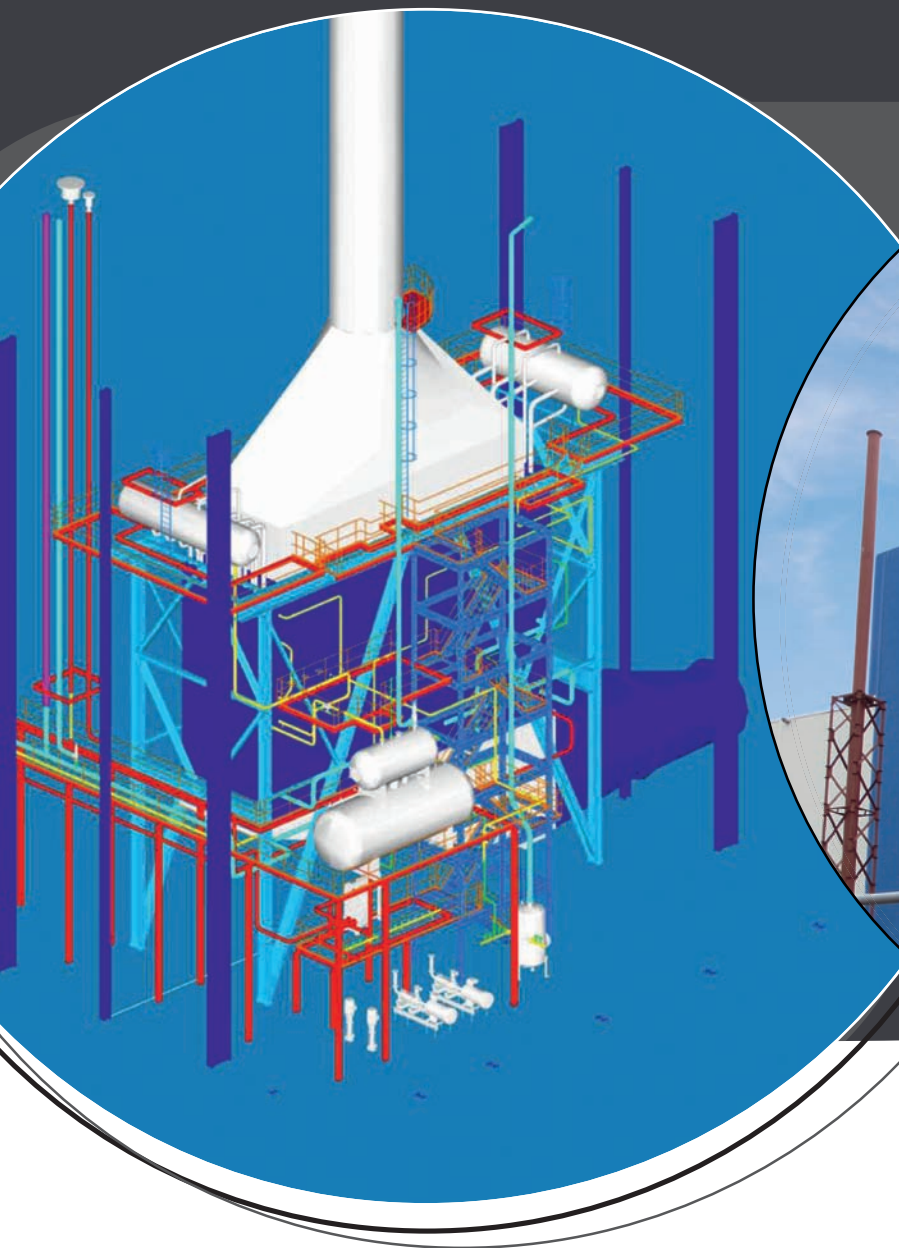


SteamGen™ 8

E4 Group • Borisov, Belarus



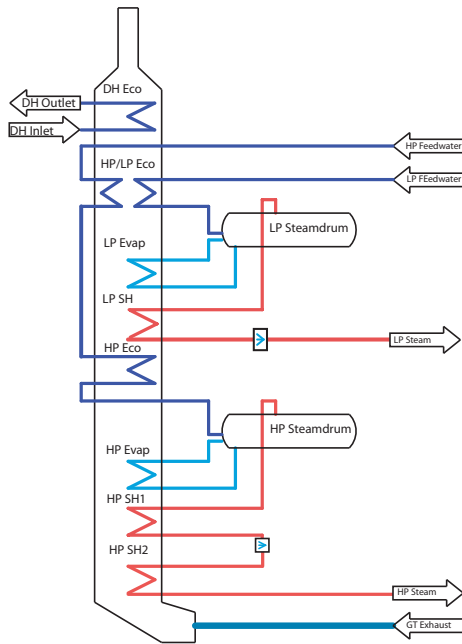
State-of-the-art 65 MW CCPP. SteamGen™ 8 will supply steam for a 20 MW Siemens steam turbine and 2 MW for district heating.



Aalborg Engineering
understanding energy

SteamGen™ 8 · E4 Group · Borisov, Belarus

The existing Power plant in Borisov, 60 km from Minsk, will be reconstructed and will include the replacement of worn-out equipment to a new state-of-the-art 65 MW CCPP with electrical efficiency of 49.5%. The SteamGen™ 8 will supply steam for a 20 MW Siemens Steam turbine for electricity and 2 MW for district heating. The main reasons for choosing the SteamGen™ 8 solution is our higher efficiency, our prior SGT 800 experience and our vertical design due to space limitations.



Project Data

Client:	E4 Group
Location:	Borisov, Belarus
Year of commissioning:	2014
Boiler:	SteamGen™ 8
turbine:	Siemens SGT 800
HP/LP Steam capacity:	58/12 t/h
HP/LP operating pressure:	83/7 bar
HP/LP Temperature:	513/286°C
Hot water	2.0 MWt



Scope of Supply

- Steel structure, platforms and stairways
- Flue gas ducts
- Steam system
- Feed water system
- Drain, vent and blowdown system
- District heating economiser system
- Chemical dosing system, Water & steam sampling system
- Valves and instrumentation
- Instrument cable installation
- Motor control centre
- Supervision of erection



Aalborg Engineering
understanding energy